



TECHNISCHE OMSCHRIJVING

Ronde LED downlighter met aluminium reflector met klemveren. Met gesloten opalen diffusor vervaardigd uit PMMA en behuizing uit polycarbonaat met vlakke plafondring (RAL9003 of RAL9005). Geschikt voor montage in plafonds met inbouwopeningen, lamellensystemen, systeemplafonds met verborgen en zichtbare draagprofielen. Geschikt voor inbouwopeningen van Ø125, Ø150 en Ø200. Inbouwdiepte ≥100mm. Armatuurlichtstroom 600 tot 2750lm, aansluitvermogen 5,00W tot 25,00W met lichtrendement van 115 lm/W. Versies met instelbare lumenstroom in vier standen (-OS). Beschikbaar in kleurtemperatuur (CCT) 3000K (warm wit), 4000K (neutraal wit) en 5700K (daglicht). Algemene kleurweergave-index (CRI) Ra >80. Zeer stabiele binning MacAdam Ellipse <4 (SDCM). Gemiddelde levensduur L80(tq 25°C) = 50.000 volgens TM-21 extrapolatie, In-SITU temperatuurtest (ISTMT). Toelaatbare omgevingstemperatuur (ta): -20°C ~ + 40°C. Beschermklasse (EN 61140): II. Beschermklasse Ingress Protection (EN 60529): IP54, slagvastheid IEC 62262: IK06. Gloeidraadtest conform IEC 60695-2-11: 650°C. Met elektronische transformator, schakelbaar vermogen, met geïntegreerde trekcontlasting. Versies met aan/uit schakeling, 1-10V, DALI, push&dim. Met 2-aderige aansluitklem voor bedrading tot 2,5mm² voor aansluiting en doorlussen (loop-in-loop-out) van voeding of versies met plug&play GST18i3/4/5. Armaturen voldoen aan de fundamentele eisen van de van toepassing zijnde EU-richtlijnen en productveiligheidswet, zoals EMC, Lvd en RoHS. Armaturen zijn voorzien van een CE-markering



BESTELGEGEVENS

| Artikelcode | Omschrijving | W | lm | Kelvin | CRI | Input Current | Kleur | Ømm | Lifetime L80B10 |
|--------------------|---|-------|-----------|--------|-----|---------------|-------|-----|-----------------|
| 1000343-PR-DIM | Downlight Spectre IP54 13W 3000K-5700K 3-CCT Incl. Triac Dimmable Driver | 13 | 1120-1310 | 3 CCT | ≥80 | 0.07 | Wit | 145 | 50000 |
| 1000350-PR-DIM | Downlight Spectre IP54 18W 3000K-5700K 3-CCT Incl. Triac Dimmable Driver | 18 | 1800-1980 | 3 CCT | ≥80 | 0.09 | Wit | 172 | 50000 |
| 1000367-PR-DIM | Downlight Spectre IP54 25W 3000K-5700K 3-CCT Incl. Triac Dimmable Driver | 25 | 2500-2750 | 3 CCT | ≥80 | 0.12 | Wit | 228 | 50000 |
| 1000343-OS | Downlight Spectre IP54 14-10W 3000K-5700K 3-CCT Incl. Osram Driver | 10-14 | 1050-1550 | 3 CCT | ≥80 | 0.07 | Wit | 145 | 50000 |
| 1000350-OS | Downlight Spectre IP54 20-10W 3000K-5700K 3-CCT Incl. Osram Driver | 10-20 | 1150-2200 | 3 CCT | ≥80 | 0.09 | Wit | 172 | 50000 |
| 1000367-OS | Downlight Spectre IP54 20-10W 3000K-5700K 3-CCT Incl. Osram Driver | 10-20 | 1150-2300 | 3 CCT | ≥80 | 0.09 | Wit | 228 | 50000 |
| 1000343-PR-UN-300 | Downlight Spectre IP54 14-10W 3000K-5700K 3-CCT Incl. Uni. (Dali-1/10V-Push) Driver | 10-14 | 1050-1550 | 3 CCT | ≥80 | 0.07 | Wit | 145 | 50000 |
| 1000350-PR-UN | Downlight Spectre IP54 25-10W 3000K-5700K 3-CCT Incl. Uni. (Dali-1/10V-Push) Driver | 10-25 | 1150-2750 | 3 CCT | ≥80 | 0.09 | Wit | 172 | 50000 |
| 1000367-PR-UN | Downlight Spectre IP54 25-10W 3000K-5700K 3-CCT Incl. Uni. (Dali-1/10V-Push) Driver | 10-25 | 1150-2750 | 3 CCT | ≥80 | 0.09 | Wit | 228 | 50000 |
| 1000343-PH-DA | Downlight Spectre IP54 14W 3000K-5700K 3-CCT Incl. Philips Dali Driver | 14 | 1450-1550 | 3 CCT | ≥80 | 0.07 | Wit | 145 | 50000 |
| 1000350-PH-DA | Downlight Spectre IP54 18W 3000K-5700K 3-CCT Incl. Philips Dali Driver | 18 | 2100-2200 | 3 CCT | ≥80 | 0.09 | Wit | 172 | 50000 |
| 1000367-PH-DA | Downlight Spectre IP54 20W 3000K-5700K 3-CCT Incl. Philips Dali Driver | 20 | 2200-2300 | 3 CCT | ≥80 | 0.09 | Wit | 228 | 50000 |
| Z1000343-PR-DIM | Downlight Spectre IP54 13W 3000K-5700K 3-CCT Incl. Triac Dimmable Driver | 13 | 1120-1310 | 3 CCT | ≥80 | 0.07 | Zwart | 145 | 50000 |
| Z1000350-PR-DIM | Downlight Spectre IP54 18W 3000K-5700K 3-CCT Incl. Triac Dimmable Driver | 18 | 1800-1980 | 3 CCT | ≥80 | 0.09 | Zwart | 172 | 50000 |
| Z1000367-PR-DIM | Downlight Spectre IP54 25W 3000K-5700K 3-CCT Incl. Triac Dimmable Driver | 25 | 2500-2750 | 3 CCT | ≥80 | 0.12 | Zwart | 228 | 50000 |
| Z1000343-OS | Downlight Spectre IP54 14-10W 3000K-5700K 3-CCT Incl. Osram Driver | 10-14 | 1050-1550 | 3 CCT | ≥80 | 0.07 | Zwart | 145 | 50000 |
| Z1000350-OS | Downlight Spectre IP54 20-10W 3000K-5700K 3-CCT Incl. Osram Driver | 10-20 | 1150-2200 | 3 CCT | ≥80 | 0.09 | Zwart | 172 | 50000 |
| Z1000367-OS | Downlight Spectre IP54 20-10W 3000K-5700K 3-CCT Incl. Osram Driver | 10-20 | 1150-2300 | 3 CCT | ≥80 | 0.09 | Zwart | 228 | 50000 |
| Z1000343-PR-UN-300 | Downlight Spectre IP54 14-10W 3000K-5700K 3-CCT Incl. Uni. (Dali-1/10V-Push) Driver | 10-14 | 1050-1550 | 3 CCT | ≥80 | 0.07 | Wit | 145 | 50000 |
| Z1000350-PR-UN | Downlight Spectre IP54 25-10W 3000K-5700K 3-CCT Incl. Uni. (Dali-1/10V-Push) Driver | 10-25 | 1150-2750 | 3 CCT | ≥80 | 0.09 | Wit | 172 | 50000 |
| Z1000367-PR-UN | Downlight Spectre IP54 25-10W 3000K-5700K 3-CCT Incl. Uni. (Dali-1/10V-Push) Driver | 10-25 | 1150-2750 | 3 CCT | ≥80 | 0.09 | Wit | 228 | 50000 |
| Z1000343-PH-DA | Downlight Spectre IP54 14W 3000K-5700K 3-CCT Incl. Philips Dali Driver | 14 | 1450-1550 | 3 CCT | ≥80 | 0.07 | Zwart | 145 | 50000 |
| Z1000350-PH-DA | Downlight Spectre IP54 18W 3000K-5700K 3-CCT Incl. Philips Dali Driver | 18 | 2100-2200 | 3 CCT | ≥80 | 0.09 | Zwart | 172 | 50000 |
| Z1000367-PH-DA | Downlight Spectre IP54 20W 3000K-5700K 3-CCT Incl. Philips Dali Driver | 20 | 2200-2300 | 3 CCT | ≥80 | 0.09 | Zwart | 228 | 50000 |

ACCESSOIRES



Noodmodule
Kit
1000282



GST - Wieland
snoeren
Op aanvraag

Initiële prestaties (conform IEC) - Tolerantie +/- 10%

PRODUCTGEGEVENS

| Elektrische gegevens | |
|------------------------|---|
| Ingangsspanning (V) | 220-240 |
| Ingangsfrequentie (Hz) | 50/60 |
| Arbeidsfactor (λ) | ≥0.90 |
| Driver | Externe Flikkervrij $P_{st}^{LM} : \leq 1 \text{ SVM} : \leq 4$ |
| Dimbaar | Nee / Triac / DALI |
| Aansluiting | Max 2x2,5 mm ² wire Push-Terminal 2-pole |
| THD | ≤ 20 % |

Toepassingsomstandigheden

| | |
|-----------------------------|-------------|
| Omgevingstemperatuur Tq | 25°C |
| Bereik omgevingstemperatuur | -20 ~ +40°C |

Certificaten & Normen

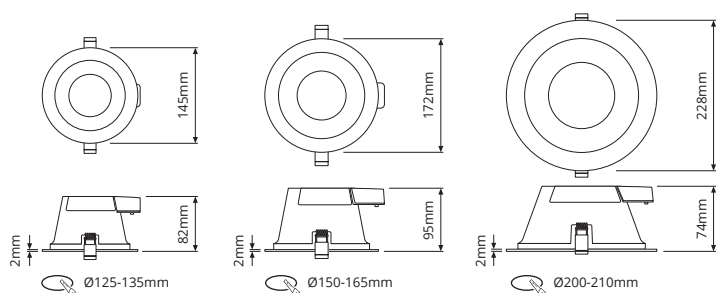
| | |
|-------------------------------|--|
| Driver certificaten | CE |
| Armatuur certificaten | CE |
| IEC beschermingsklasse | II |
| IP-classificatie | IP54 (kamerzijde) / IP20 (achterzijde) |
| IK-classificatie | IK06 |
| Fotobiologisch risico EN62471 | RG0 |
| Gloeidraadtest | 650°C |
| UGR | ≤ 22 |
| Lichtbron vervangbaar | Nee |

Kleuren & materialen

| | |
|-----------------------------------|-----------------------------|
| Materiaal behuizing | Aluminum |
| Optisch-/Lens-/Reflectormateriaal | PC |
| Kleur behuizing | Wit RAL9016 / Zwart RAL9004 |

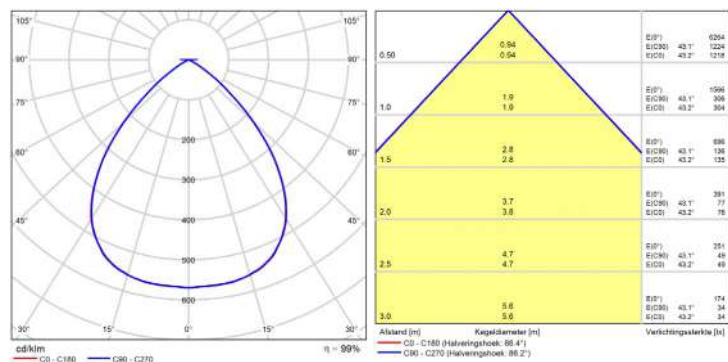
| Artikelcode | Omschrijving | Driver failure rate at 5,000h | Inrush current | | Max. Drivers op MCB | | | |
|-------------------|---|-------------------------------|----------------|-------------|---------------------|-------|-------|-------|
| | | | Ipeak (A) | Twidth (µs) | B 10A | B 16A | C 10A | C 16A |
| 1000343-PR-DIM | Downlight Spectre IP54 13W 3000K-5700K 3-CCT Incl. Triac Dimmable Driver | ≤1% | 2.18 | 135 | 83 | 138 | 83 | 138 |
| 1000350-PR-DIM | Downlight Spectre IP54 18W 3000K-5700K 3-CCT Incl. Triac Dimmable Driver | ≤1% | 3.06 | 224 | 48 | 76 | 48 | 76 |
| 1000367-PR-DIM | Downlight Spectre IP54 25W 3000K-5700K 3-CCT Incl. Triac Dimmable Driver | ≤1% | 4.64 | 224 | 33 | 53 | 33 | 53 |
| 1000343-OS | Downlight Spectre IP54 14-10W 3000K-5700K 3-CCT Incl. Osram Driver | ≤1% | <16 | 100 | 32 | - | 50 | - |
| 1000350-OS | Downlight Spectre IP54 20-10W 3000K-5700K 3-CCT Incl. Osram Driver | ≤1% | <16 | 100 | 32 | - | 50 | - |
| 1000367-OS | Downlight Spectre IP54 20-10W 3000K-5700K 3-CCT Incl. Osram Driver | ≤1% | <16 | 100 | 32 | - | 50 | - |
| 1000343-PR-UN-300 | Downlight Spectre IP54 14-10W 3000K-5700K 3-CCT Incl. Uni. (Dali-1/10V-Push) Driver | ≤1% | <12 | 100 | 20 | 30 | 35 | 55 |
| 1000350-PR-UN | Downlight Spectre IP54 25-10W 3000K-5700K 3-CCT Incl. Uni. (Dali-1/10V-Push) Driver | ≤1% | <12 | 100 | 20 | 30 | 35 | 55 |
| 1000367-PR-UN | Downlight Spectre IP54 25-10W 3000K-5700K 3-CCT Incl. Uni. (Dali-1/10V-Push) Driver | ≤1% | <12 | 100 | 20 | 30 | 35 | 55 |
| 1000343-PH-DA | Downlight Spectre IP54 14W 3000K-5700K 3-CCT Incl. Philips Dali Driver | ≤1% | 20.4 | 195 | 15 | 24 | 24 | 40 |
| 1000350-PH-DA | Downlight Spectre IP54 18W 3000K-5700K 3-CCT Incl. Philips Dali Driver | ≤1% | 20.4 | 195 | 15 | 24 | 24 | 40 |
| 1000367-PH-DA | Downlight Spectre IP54 20W 3000K-5700K 3-CCT Incl. Philips Dali Driver | ≤1% | 20.4 | 195 | 15 | 24 | 24 | 40 |

AFMETINGEN



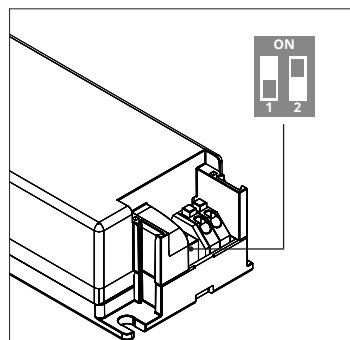
FOTOMETRISCHE GEGEVENS

Downlight Spectre IP54 25W 3000K-5700K 3-CCT 2500-2750lm Ø228 Fase Dim (1000367-PR-DIM)



EXTRA INFORMATIE

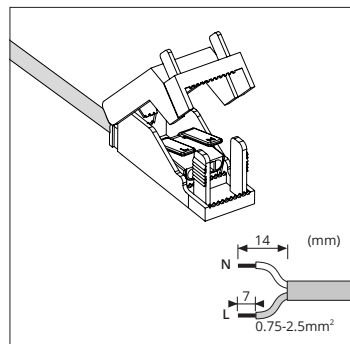
| Artikelcode | OSRAM Multi-Watt 4 in 1 Driver | 250mA | | | 350mA | | | 450mA | | | 500mA | | |
|-------------|---|-------|-------|-------|-------|----|-------|-------|-------|----|-------|-------|-------|
| | | W | lm | | W | lm | | W | lm | | W | lm | |
| | Omschrijving | | 3000K | 4000K | 5700K | | 3000K | 4000K | 5700K | | 3000K | 4000K | 5700K |
| 1000343-OS | Downlight Spectre IP54 14-10W 3000K-5700K 3-CCT | 10 | 1050 | 1150 | 1150 | 14 | 1450 | 1550 | 1550 | - | - | - | - |
| 1000350-OS | Downlight Spectre IP54 20-10W 3000K-5700K 3-CCT | 10 | 1150 | 1150 | 1150 | 14 | 1550 | 1550 | 1550 | 18 | 1950 | 2000 | 1950 |
| 1000367-OS | Downlight Spectre IP54 20-10W 3000K-5700K 3-CCT | 10 | 1150 | 1200 | 1200 | 14 | 1600 | 1650 | 1650 | 18 | 2050 | 2100 | 2050 |



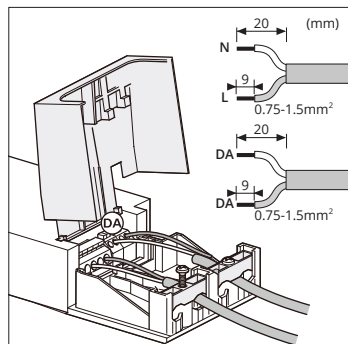
| 1 | 2 | mA |
|-----|-----|-----|
| OFF | OFF | 250 |
| OFF | ON | 350 |
| ON | OFF | 450 |
| ON | ON | 500 |

OSRAM Multi-Watt 4 in 1 Driver versies

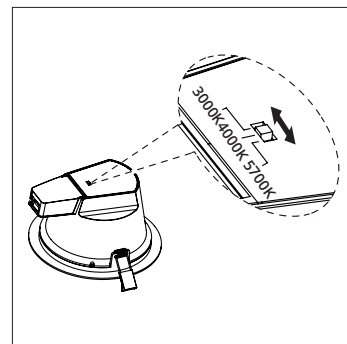
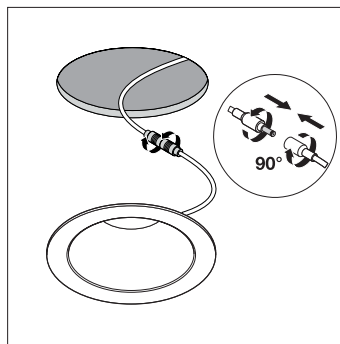
PRODUCTDETAILS



Standaard versies



DALI versies



PROJECTEN

